



Enjoy your garden
all year round

Round Log Barbecue and Summer Houses



Champfleurie Estate Ltd
Champfleurie House
LINLITHGOW
EH49 6NB



Phone 01506 847999
Fax 01506 847174

E-mail info@champfleurie.co.uk

www.champfleurie.co.uk

Barbecue and Summer Houses

Extend your summer right through winter with one of these fabulous Finnish-style buildings. Designed for use all the year round. No more barbecues or garden parties spoiled by the unpredictable Scottish weather.

Choose from a range of high quality, beautifully finished, Barbecue or Summer Houses designed to suit most sizes of garden and priced to suit most budgets.

Available in 2 sizes, 6 square metres and 10.25 square metres and in 3 styles, 45mm round log construction BBQ Houses, Summer Houses and the Tundra 45mm round log design. All created specially with the British climate in mind.

Supplied complete with pre-fabricated roof and floor panels with load bearing joists and pre-fitted roof shingles, factory glazed windows, peripheral seating, storage shelves, timber curtain poles, double doors, opening window, all ironmongery and in the case of barbecue houses, granite topped barbecue housing, swing grill with stainless steel support, giant ash pan, internal canopy and chimney with pulley system.

All you need is a level hard base. No planning permission required. These buildings are classed as 'Portable Buildings' and such are not normally subject to planning permission (except within the curtilage of a listed building or within a conservation area). If in doubt check with your local planning department.

Professional erection and installation service and FREE external treatment with first coat of wood preserver in the colour of your choice. Erected and ready for you to occupy in 4-6 hours. Design variations such as additional opening windows, less windows and more solid logged walls can be accommodated where desired.



aesthetically pleasing



double opening doors



built-in bbq and chimney



factory fitted roof shingles



granite worktop



window shelves and curtain rails



bbq swing grill



all round seating

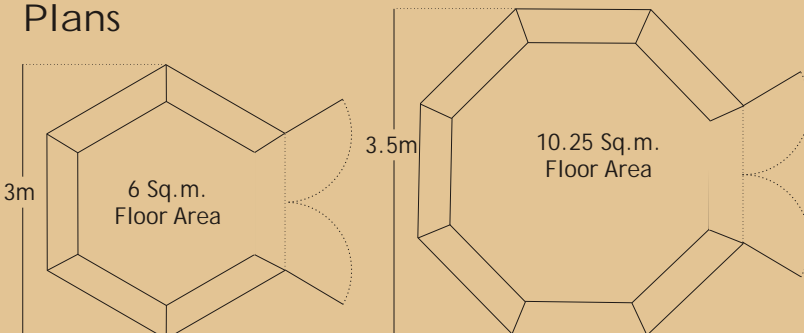


360 degree windows

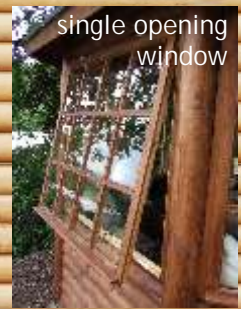


timber flooring

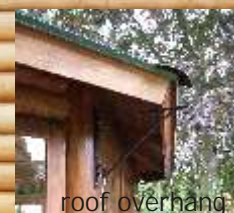
Plans



45mm round log walling



single opening window



roof overhang



door and window locks

Champfleurie Estate Ltd Champfleurie Linlithgow EH49 6NB
 Phone 01506 847999 Fax 01506 847174
 E-mail info@champfleurie.co.uk
 www.champfleurie.co.uk